



LEFROY BROOKS

1 8 2 8 T R O U T M A N S T R E E T
R I D G E W O O D N E W Y O R K N Y 1 1 3 8 5 U S A
T : + 1 (7 1 8) 3 0 2 5 2 9 2 F : + 1 (7 1 8) 3 0 2 4 1 7 7

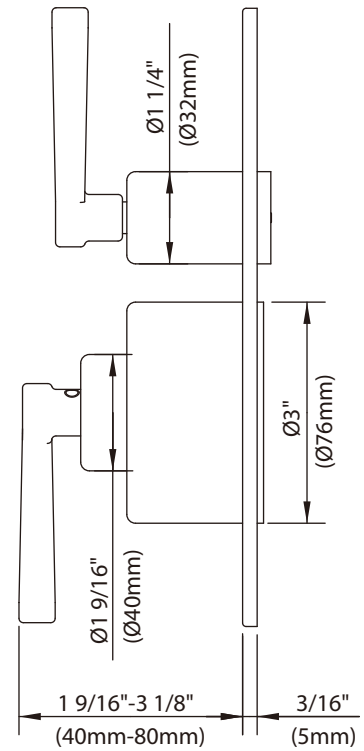
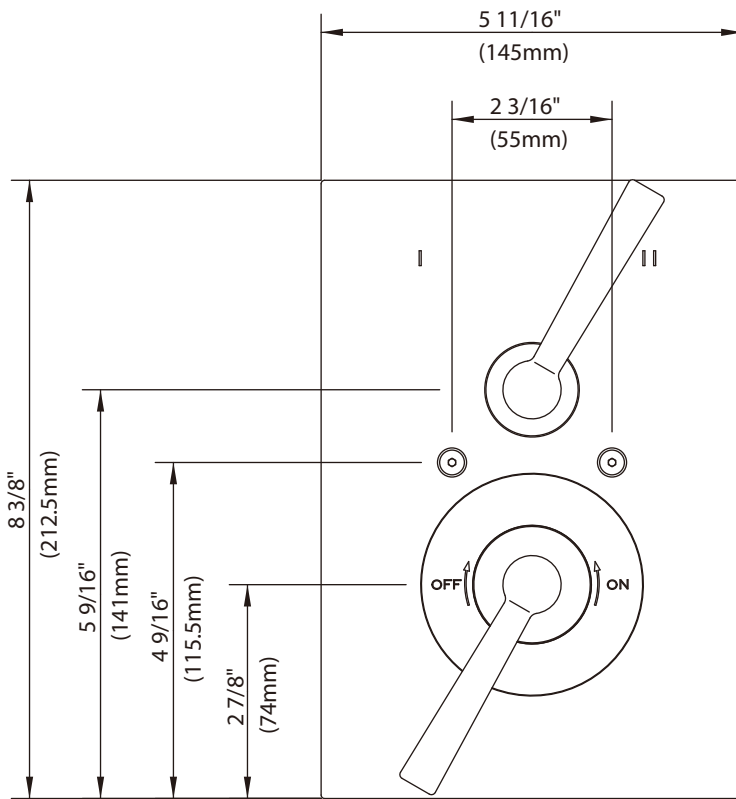
M2-4303

FLEETWOOD LEVER PRESSURE BALANCE WITH LEVER 2-WAY
DIVERTER TRIM ONLY, TO SUIT M1-4101 ROUGH

DIMENSIONAL DATA SHEET

DATE: 15 September 2014

No: A66F327



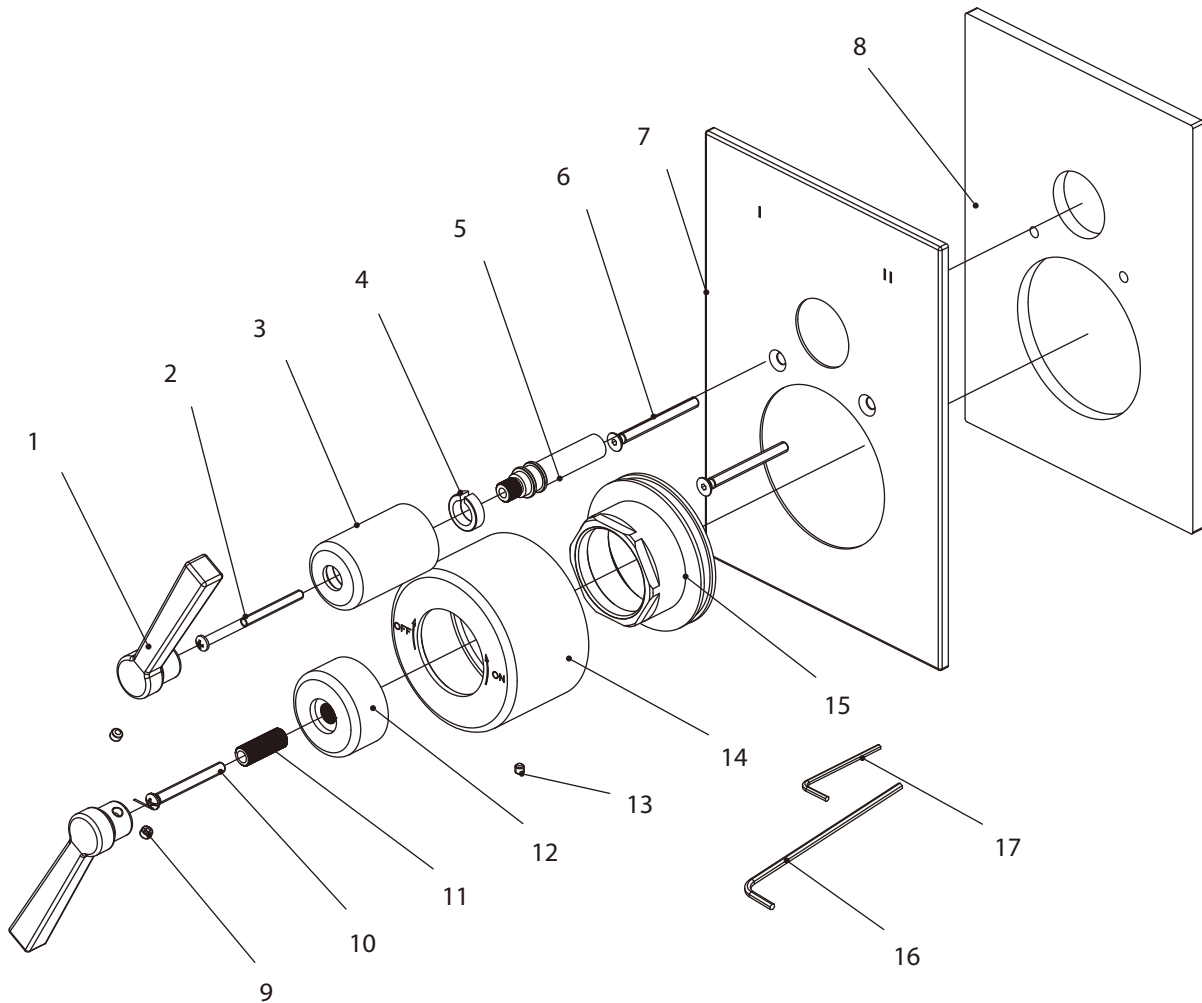
COPYRIGHT © LBIP LTD 2012. ALL RIGHTS RESERVED.

DIMENSIONS IN INCHES & MILLIMETRES

WHILST EVERY EFFORT IS MADE TO ENSURE THE ACCURACY OF THESE DATA SHEETS THEY ARE SUBJECT TO CHANGE WITHOUT NOTICE AS PART OF THE COMPANY'S PRODUCT DEVELOPMENT PROCESS

M2-4303

FLEETWOOD LEVER PRESSURE BALANCE WITH LEVER 2-WAY DIVERTER TRIM ONLY, TO SUIT M1-4101 ROUGH



1	Handle (029686)	7	Front plate (006142-50)	13	Set screw (065086)
2	Screw (008256)	8	Spacer (013118)	14	Canopy (018959-53)
3	Canopy (018960)	9	Set screw (292598)	15	Adjusting ring (104292)
4	Clip (012242)	10	Screw (008115)	16	Allen key (031220)
5	Stem extension (110388)	11	Stem extension (110389)	17	Allen key (031003)
6	Screw (008186)	12	Canopy (018961)		

Standards

IAPMO/cUPC Listed
Meets A112.18.1
ADA Compliant

Please note :

Final achievable flow rate is dependent on the outlets fitted, see relevant outlets (spouts, roses, sprays) for fully assembled product flow rate.